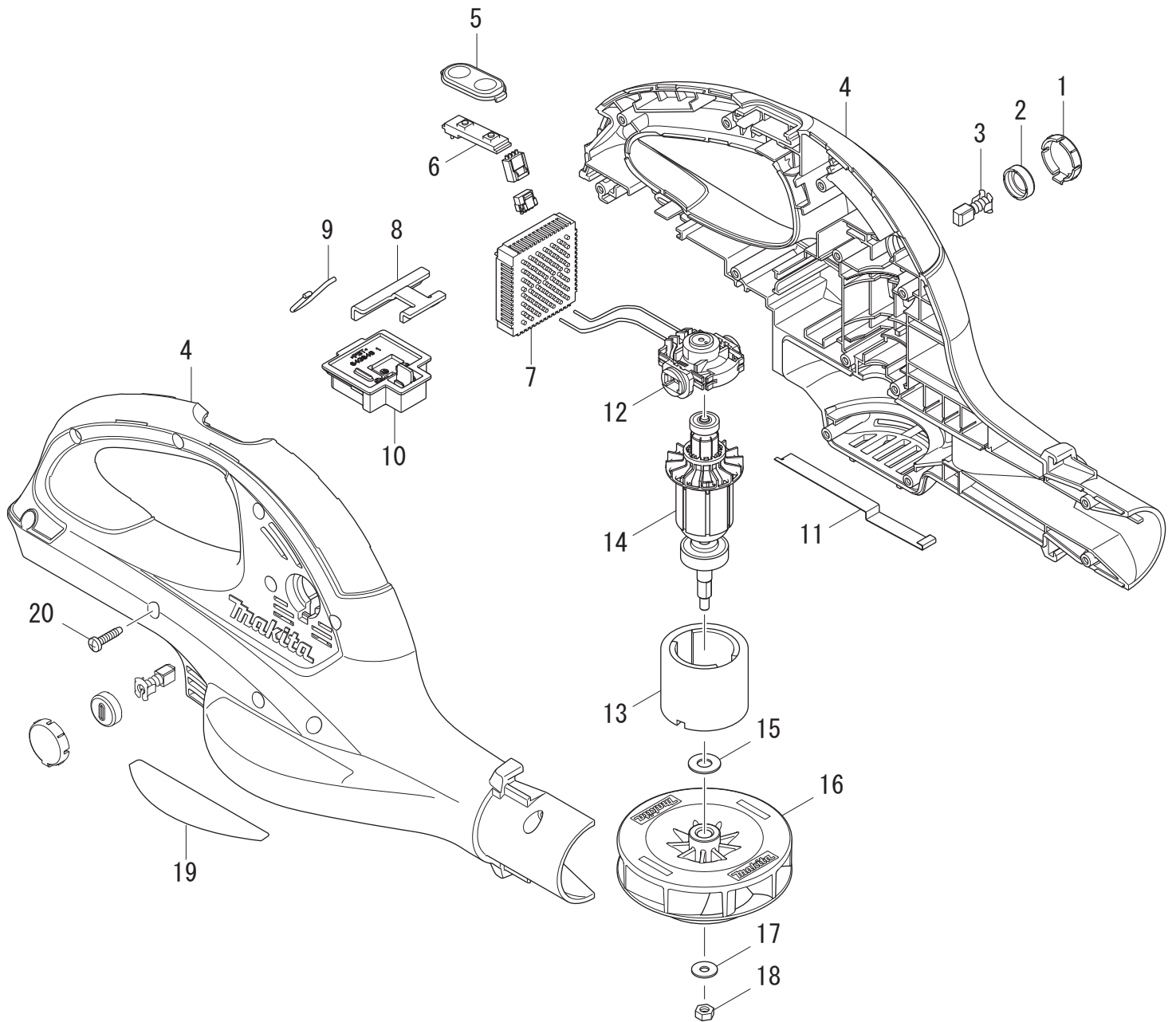




08 - 2010  
BUB360Z / BUB360X  
36V LXT BLOWER



Item No	Type	Ref	Part No	Description	Qty	Unit
1			452145-4	HOLDER CAP COVER	2	PC.
2			643929-3	BRUSH HOLDER CAP	2	PC.
3			195018-5	CARBON BRUSH CB-430, 2PCS/SET, W/ ORIGIN	1	SET
4			188934-8	HOUSING SET	1	SET
		INC.	263005-3	RUBBER PIN 6	2	PC.
		INC.	891049-9	CAUTION LABEL(French & Spanish)	1	PC.
5			140463-9	SWITCH PLATE COMPLETE	1	PC.
6			631973-2	SWITCH UNIT	1	PC.
7	1		631975-8	CONTROLLER	1	PC.
7	2		620050-5	CONTROLLER (OLD# 631975-8 - N/L/A)	1	PC.
	3		620253-1	CONTROLLER	1	PC.
8			346039-2	SUPPORT PLATE	1	PC.
9			325973-9	HANGER	1	PC.
10			643849-1	TERMINAL	1	PC.
11			346328-5	EARTH PLATE	1	PC.
12			638725-2	ENDBELL COMPLETE	1	PC.
13	1		638420-4	YOKE UNIT	1	PC.
	2		638627-2	YOKE UNIT	1	PC.
14			619260-9	ARMATURE	1	PC.
15			253865-1	FLAT WASHER 8	1	PC.
16			240124-2	FAN 95	1	PC.
17			253194-2	FLAT WASHER 5	1	PC.
18			252177-9	HEX.NUT M5-800V	1	PC.
19			868211-1	BUB360 NAME PLATE	1	PC.
20			265995-6	TAPPING SCREW 4X18	13	PC.
100			654208-4	RECEPTACLE	2	PC.
101			654510-5	INSULATED CONNECTOR 5.5-SD	2	PC.
200			871189-9	CARTON	1	PC.

#### **ACCESSORIES**

- See catalogue or visit [www.makita.ca](http://www.makita.ca) for more optional accessories -

A01			166095-4	SHOULDER BELT	1	PC.
A02			452123-4	LONG NOZZLE	1	PC.
A03			194874-0	36V LI-ION BATTERY BL3626	1	PC.
A04			DC36RA	FAST CHARGER DC36RA	1	PC.
A05			194960-7	BATTERY ADAPTOR BAP36	1	PC.
A06			195512-7	BATTERY CONVERTER SET BCV01	1	SET
	1		195850-7	18V to 36V BATTERY CONVERTER BCV02	1	PC.
	2		196810-2	18V to 36V BATTERY CONVERTER BCV03	1	PC.